

DELIVERING HIGH PERFORMANCE EVAPORATIVE COOLING AT UNBELIEVABLE VALUE

Specifically designed to offer a high quality, affordable and energy-efficient solution for residential and light commercial installations.



ECONOMICAL COOLING CAPACITY

Provides a solution for a more affordable installation.



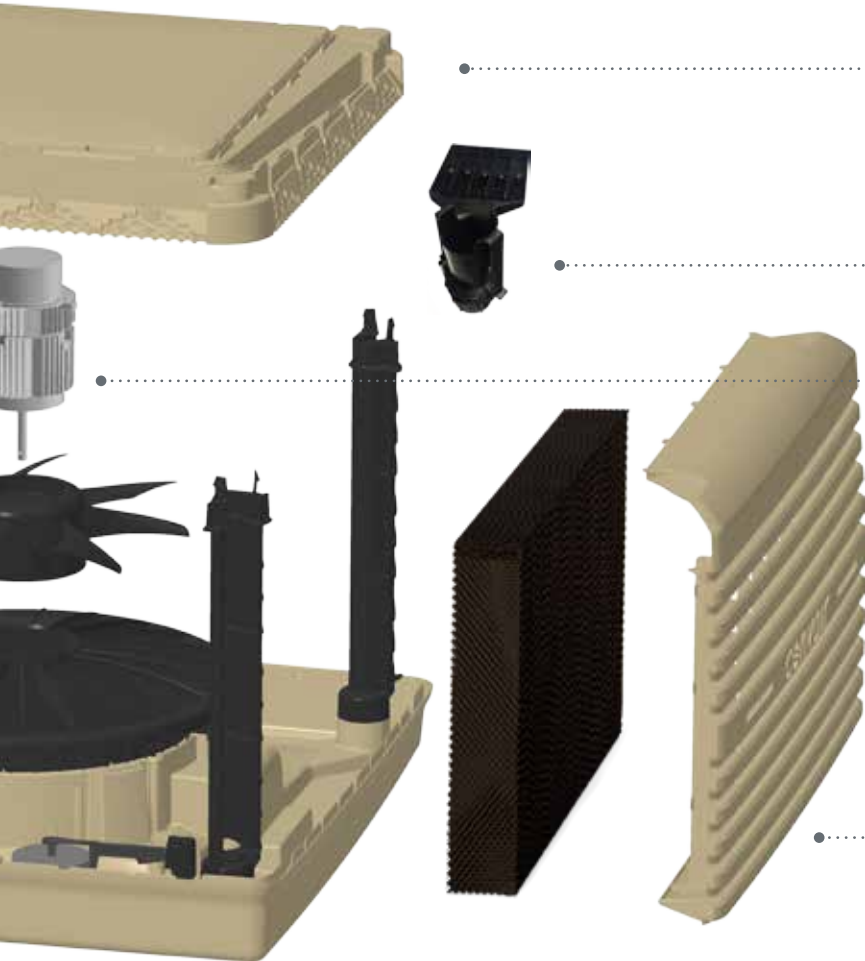
REGULATORY COMPLIANCE

Convair's CTA Series has been tested by a Nationally Recognized Testing Laboratory. ETL Listed to Standard for Electric Fans (UL-507).



115V / 60HZ POWER SUPPLY

Available in single phase power supply with built-in fuses to protect the motor and pump.



NON-CLOGGING WATER DISTRIBUTION

The water distribution maximizes cooling efficiency, ensuring a continuous and balanced flow of water across the cooling pads.

BLEED-OFF TRAY

The easy to install bleed-off tray provides a more precise bleed rate, which results in less mineral build-up in the pads.



COMPLETELY ENCLOSED MOTOR

Convair's fan motor is fully enclosed, preventing moisture and airborne particles from getting inside the motor enclosure. No belts or pulleys necessary.



LIGHTWEIGHT & DURABLE

Permatuf™ corrosion-proof cabinet and lightweight construction, UV-stabilized structural polymer materials which means the cabinet will not corrode or rust. Since it's so much lighter than other coolers on the market, it's easier to install.

FRESH, HEALTHY, CLEAN AIR

The delivered air is 100% fresh, with no risk of recirculated fumes, germs or odors.

Most importantly, as the outside temperature rises, the more cooling you get inside – the fundamental benefit of the evaporative process.